

DATASHEET

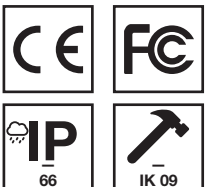
WALL READER ON-LINE by SALTO

SALTO offers a wide range of wall readers that, in combination with SALTO Door Controllers enable the expansion of SALTO access control benefits to all those doors where a stand-alone electronic lock cannot be fitted, i.e. barriers, lifts, sliding doors or electronic gates, where control must be boosted by online real-time access control.

www.saltosystems.com

TECHNICAL SPECIFICATIONS: XS4 WALL READER

SALTO
inspired access



TECHNICAL DATA:

Housing dimensions (H x W x D):	95.5 x 95,5 x 22 mm 3-3/4" x 3-3/4" x 55/64"
Weight:	20 g - 1 Oz
Cover material:	PC/ASA
IP class:	IP66
Certifications:	CE, FCC/IC, RCM, MIC, UL294

ELECTRONIC FEATURES:

Power:	12V supplied by the door controller.
Connection to the door controller:	AWG24 twisted pair or AWG18 cable connection.
Firmware update:	Via ProAccess SPACE software.
LED lamps:	Multi colour led to indicate access authorisation.

ID TECHNOLOGIES:

MIFARE:*	•
BLE Smart:	•
NFC:	•
Legic:**	—
HID iClass®:	•
Picopass:	—
i-Button:	—

* MIFARE® (DESFire EV2, Plus, Ultralight C, FlexSpace, Classic - ISO/IEC 14443).

** Legic Prime and Legic Advant

TECHNOLOGY PLATFORMS:**SALTO SPACE:**

Smile - Selfprogrammable	—
ROM:	—
SVN data-on-card:	•
SALTO RFnet:	—
SALTO BLUEnet:	—

SALTO KS:

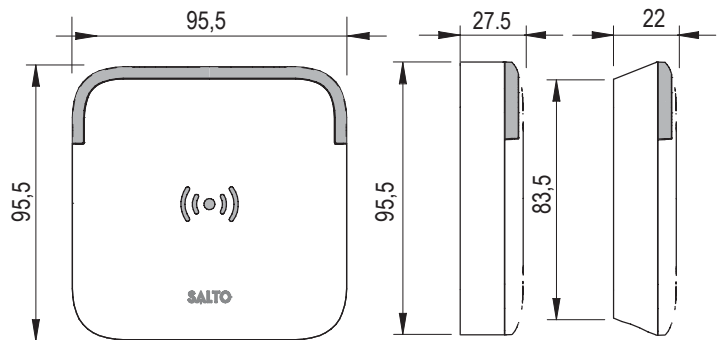
SALTO KS:	•
-----------	---

SALTO SALLIS:

SALLIS:	—
---------	---

COVER STICKER FINISHES:

Black:	•
White:	•

TECHNICAL DRAWING:**ELECTRICAL CHARACTERISTICS:****Operations conditions:**

	Min	Max	Unit
Temperature:	-30	70	°C
	-22	158	°F
Humidity:	35	85	%

Power consumption:

	Min	Max	Unit
Reader		150	mA

Operating voltage:

	Min	Max	Unit
Reader	6	16	V

RF characteristics:

	Min	Gen	Unit
RFID frequency:		13,56	MHz
BLE frequency:	2,4	2,445	GHz

Cable type and distances:

	Reader
UTP Cat5e 2 pairs AWG24	100m 300ft
UTP Cat5e 4 pairs AWG24 + SP224861/SP224895	320m 1050ft
Twisted pairs AWG18	475m 1560ft

TECHNICAL DATA:

Housing dimensions (H x W x D):	95.5 x 95,5 x 22 mm 3-3/4" x 3-3/4" x 55/64"
Weight:	25 g - 1 Oz
Cover material:	PC/ASA
IP class:	IP66
Certifications:	CE, FCC/IC, RCM, MIC, UL294

ELECTRONIC FEATURES:

Power:	12V supplied by the door controller.
Connection to the door controller:	AWG24 twisted pair or AWG18 cable connection.
Firmware update:	Via ProAccess SPACE software.
LED lamps:	Multi colour led to indicate access authorisation.

ID TECHNOLOGIES:

MIFARE:*	•
BLE Smart:	•
NFC:	•
Legic:**	•
HID iClass®:	•
Picopass:	—
i-Button:	—

* MIFARE® (DESFire EV2, Plus, Ultralight C, FlexSpace, Classic - ISO/IEC 14443).

** Legic Prime and Legic Advant

TECHNOLOGY PLATFORMS:**SALTO SPACE:**

Smile - Selfprogrammable	—
ROM:	—
SVN data-on-card:	•
SALTO RFnet:	—
SALTO BLUEnet:	—

SALTO KS:

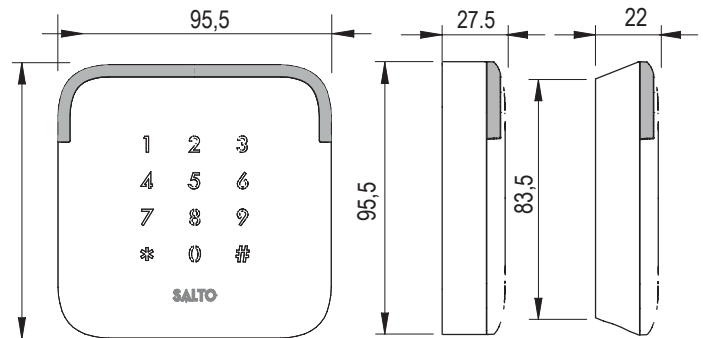
SALTO KS:	•
-----------	---

SALTO SALLIS:

SALLIS:	—
---------	---

COVER STICKER FINISHES:

Black:	•
White:	•

TECHNICAL DRAWING:**ELECTRICAL CHARACTERISTICS:****Operations conditions:**

	Min	Max	Unit
Temperature:	-30	70	°C
	-22	158	°F
Humidity:	35	85	%

Power consumption:

	Min	Max	Unit
Reader		150	mA

Operating voltage:

	Min	Max	Unit
Reader	6	16	V

RF characteristics:

	Min	Gen	Unit
RFID frequency:		13,56	MHz
BLE frequency:	2,4	2,445	GHz

Cable type and distances:

	Reader
UTP Cat5e 2 pairs AWG24	100m 300ft
UTP Cat5e 4 pairs AWG24 + SP224861/SP224895	320m 1050ft
Twisted pairs AWG18	475m 1560ft